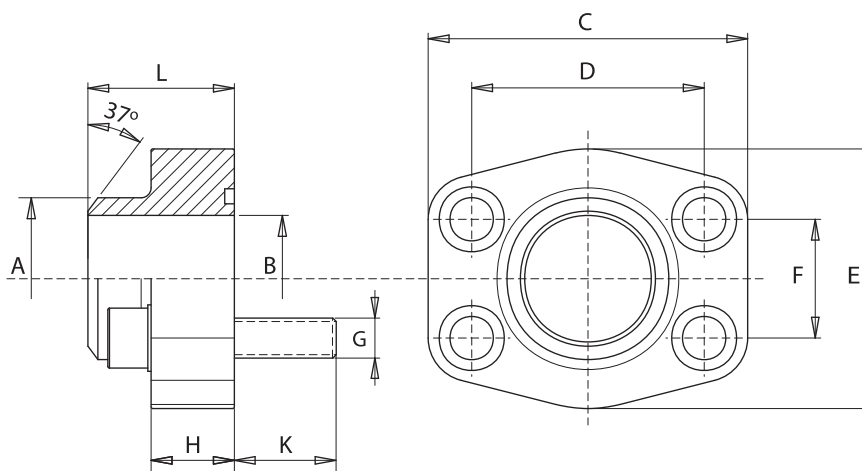


Flange SAE a saldare di testa Weld on SAE flanges



Materiale: Acciaio

Material: Steel



3000 psi

PRESS. MAX bar	TIPO TYPE	A	S.A.E.	B	L	H	K	C	D	E	F	G		O-Rings
												Viti/Screws Metr.	UNC	
345	FT080012	21,6	1/2"	13	36	16	14	58	38,10	48	17,48	M8	5/16"	4075
345	FT100034	27,2	3/4"	19	36	18	16	67	47,63	50	22,23	M10	3/8"	4100
345	FT102100	34,5	1"	25	38	18	16	71	52,37	54	26,19	M10	3/8"	4131
275	FT104114	42,8	1 1/4"	31	41	21	18	81	58,72	70	30,18	M10	7/16"	4150
200	FT106112	48,6	1 1/2"	38	44	25	18	95	69,85	78	35,71	M12	1/2"	4187
200	FT108200	61	2"	50	45	25	18	104	77,77	90	42,88	M12	1/2"	4225
170	FT110212	76,6	2 1/2"	63	50	25	18	116	88,90	102	50,80	M12	1/2"	4275
135	FT112300	89	3"	73	50	27	25	136	106,38	125	61,93	M16	5/8"	4337
35	FT114312	103	3 1/2"	89	50	27	25	154	120,65	138	69,85	M16	5/8"	4387
35	FT116400	115	4"	99	50	27	25	164	130,18	148	77,77	M16	5/8"	4437
35	FT118500	141	5"	120	50	28	25	185	152,40	181	92,08	M16	5/8"	4537

6000 psi

PRESS. MAX bar	TIPO TYPE	A	S.A.E.	B	L	H	K	C	D	E	F	G		O-Rings
												Viti/Screws Metr.	UNC	
420	FT401038	17,5	3/8"	10	36	18	14	58	40,49	48	18,24	M8	5/16"	4075
420	FT401012	21,6	1/2"	13	36	18	14	58	40,49	48	18,24	M8	5/16"	4075
420	FT402034	27,2	3/4"	18	36	18	16	72	50,80	54	23,80	M10	3/8"	4100
420	FT403100	34,5	1"	22	44	24	19	81	57,15	67	27,76	M12	7/16"	4131
420	FT404114	42,8	1 1/4"	28	44	25	22	95	66,68	78	31,75	M14	1/2"	4150
420	FT405112	48,6	1 1/2"	32	51	29	24	107	79,38	90	36,50	M16	5/8"	4187
420	FT406200	61	2"	41	70	35	32	136	96,82	117	44,45	M20	3/4"	4225
420	FT408212	76,6	2 1/2"	50	75	45	40	167	123,80	151	58,70	M24	-	4275
420	FT410300	90	3"	58	90	55	55	209	152,40	179	71,40	M30	-	4337

Esempio codice di ordinazione - Ordering example

Flangia
Flange

FT404 114 -

Su richiesta: - On request:

M Viti metriche, rondelle, O-Rings
Metrical screws, washers, O-Rings

U Viti UNC, rondelle, O-Rings
UNC screws, washers, O-Rings
(brunite - burnished)