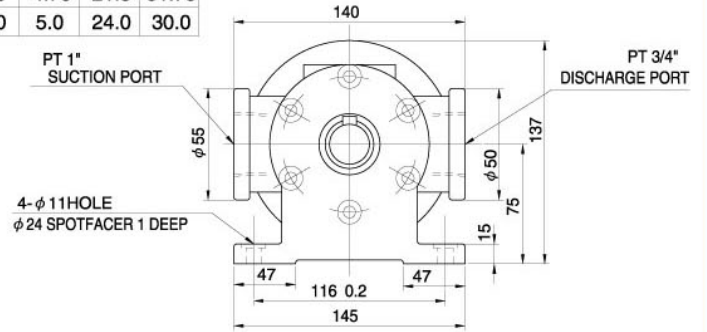
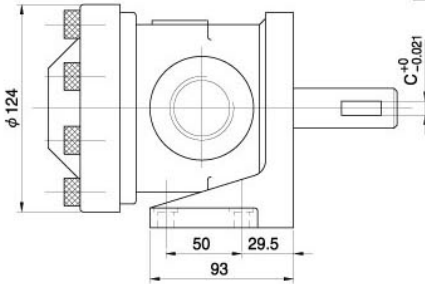


50T&150T Series Single Pump Dimensional Drawing
 50T&150T系列泵外型尺寸圖

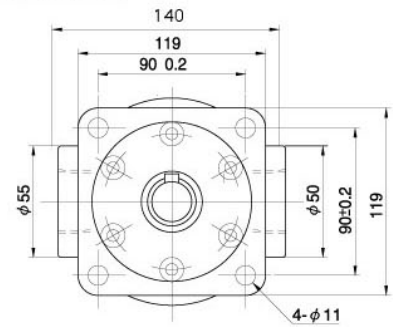
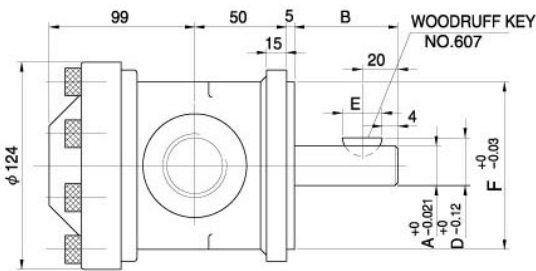
50T (Foot Type) (腳座型)

	A	B	C	D	E
NO.01-Shaft	φ 19.05	36.0	4.76	21.3	31.75
NO.02-Shaft	φ 22.0	46.0	5.0	24.0	30.0

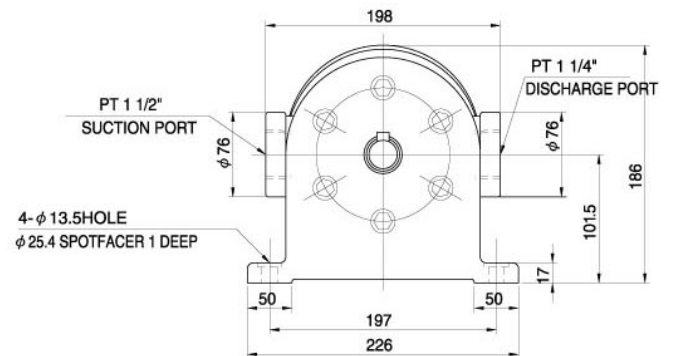
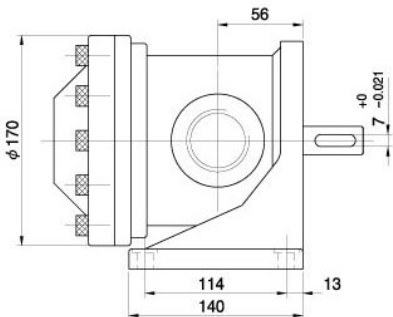


50T (Flange Type) (法蘭型)

	A	B	C	D	E	F
NO.01-Shaft	φ 19.05	36.0	4.76	21.3	31.75	φ 95.02
NO.02-Shaft	φ 22.0	46.0	5.0	24.0	30.0	φ 96.02



150T (Foot Type) (腳座型)



150T (Flange Type) (法蘭型)

