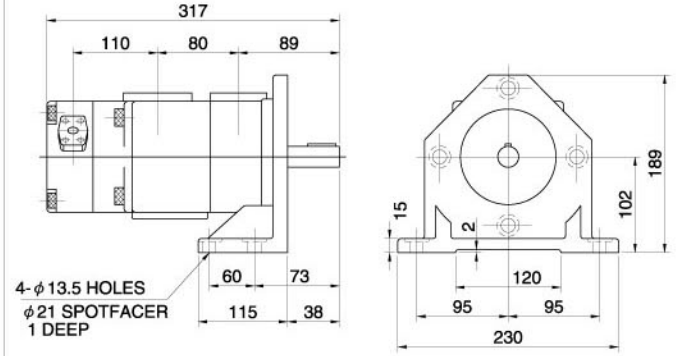
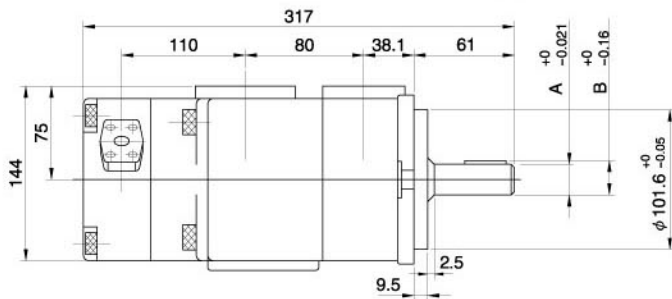
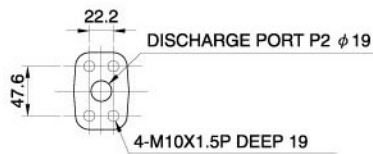
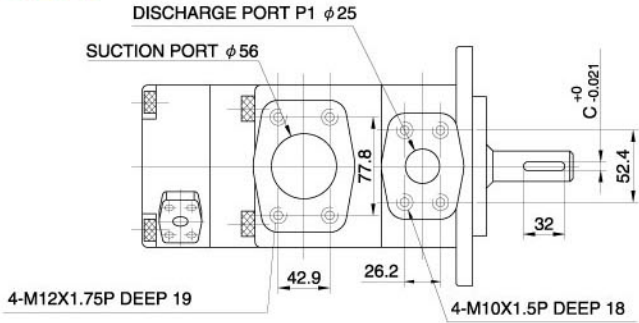


VQ Series Double Pump Dimensional Drawing

VQ系列雙泵外型尺寸圖

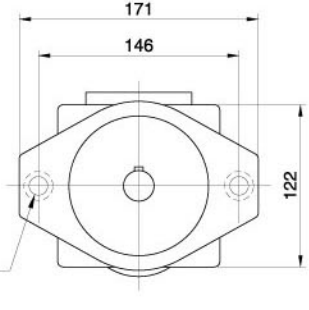
VQ215



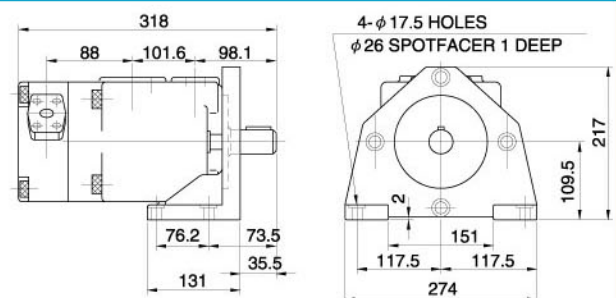
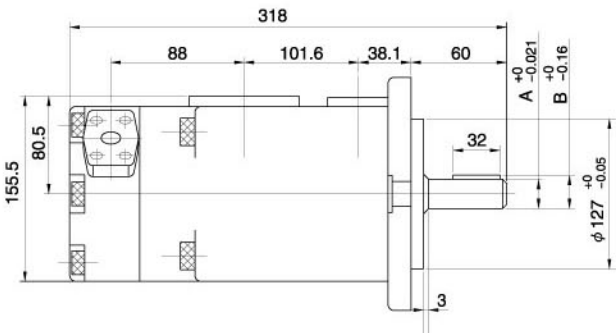
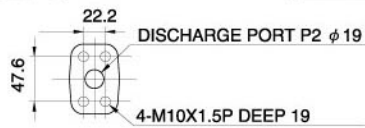
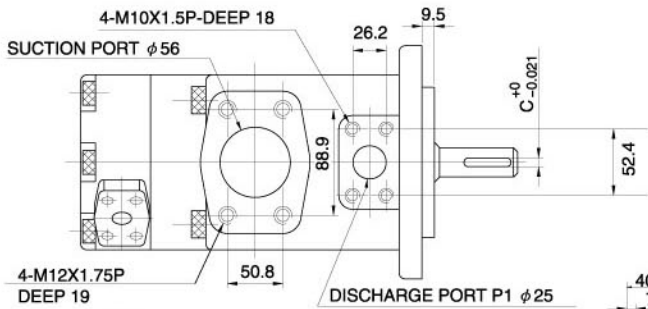
Foot Type (腳座型)

No. 4 Shaft
 16/32 d.p. -13 teeth
 30° pressure angle
 Flat root side fit.

	A	B	C
NO.01-Shaft	$\phi 22.23$	24.5	6.35
NO.02-Shaft	$\phi 25.4$	28.18	6.35
NO.03-Shaft	$\phi 30$	33	7
NO.04-Shaft	Spline shaft		



SVQ215



Foot Type (腳座型)

No. 4 Shaft
 16/32 d.p. -13 teeth
 30° pressure angle
 Flat root side fit.

	A	B	C
NO.01-Shaft	$\phi 22.23$	24.5	6.35
NO.02-Shaft	$\phi 25.4$	28.18	6.35
NO.03-Shaft	$\phi 30$	33	7
NO.04-Shaft	Spline shaft		

